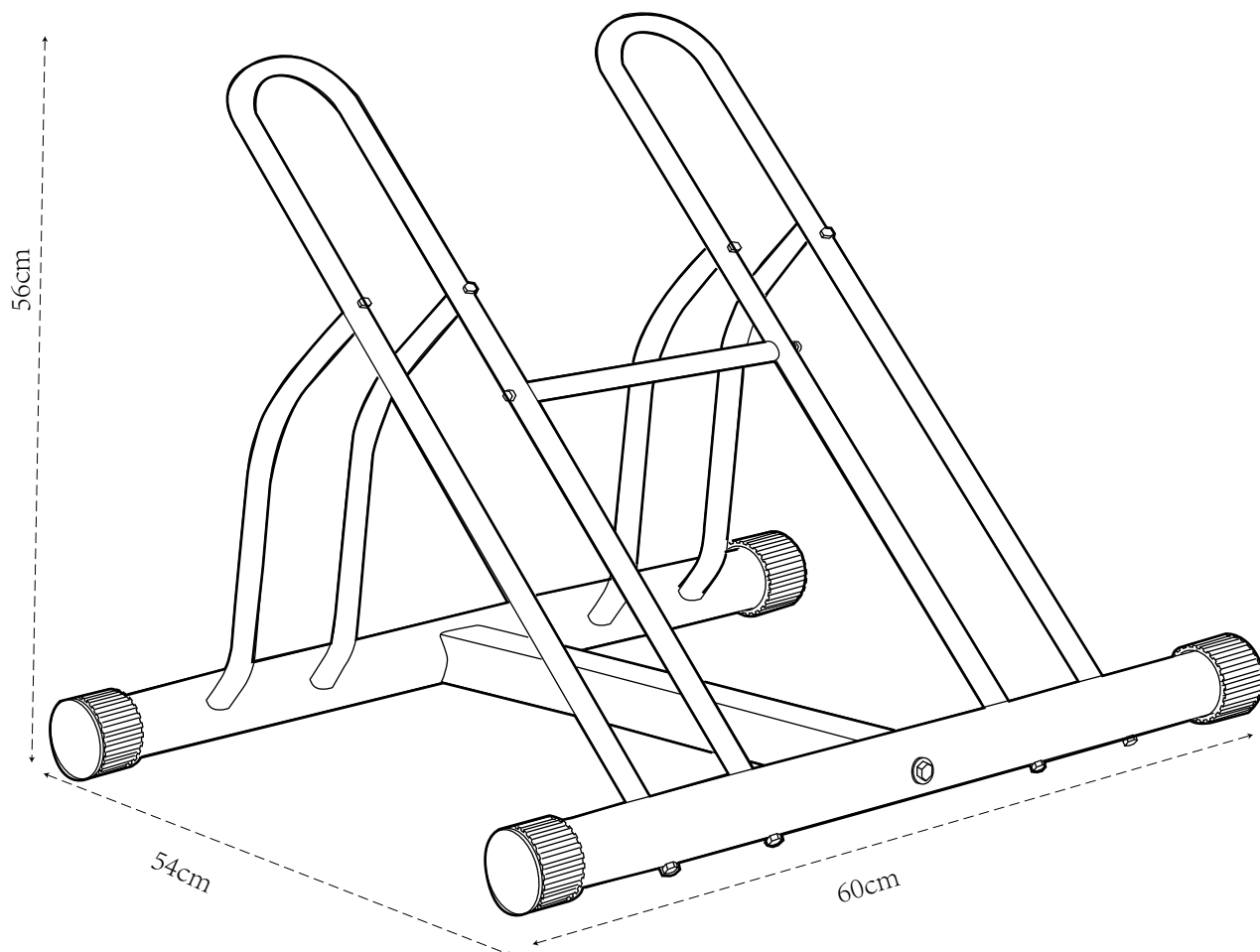
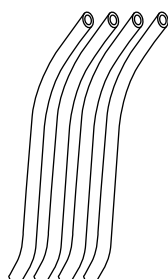
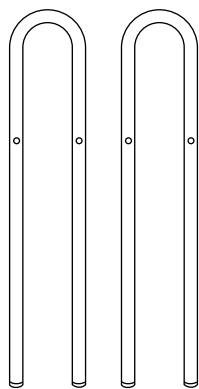


Installation instruction

- Apply for 20"-29"bicycle
- Suitable for front and rear tyre storage only..
- Foldable and easy to store.
- Maximum weight load 20KG.
- Materials: Steel



Components:



Screw



Gasket



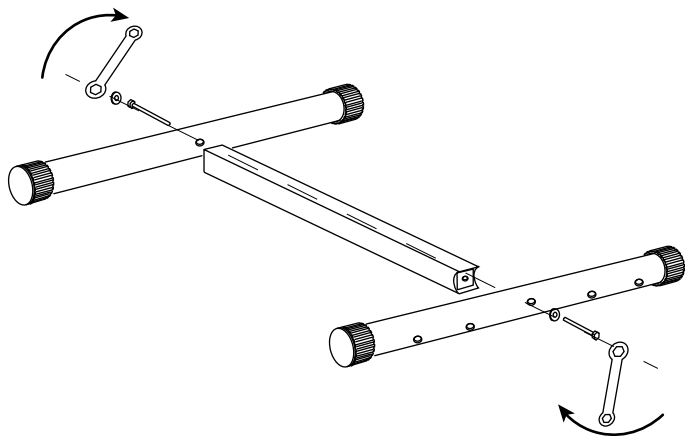
Toolkit



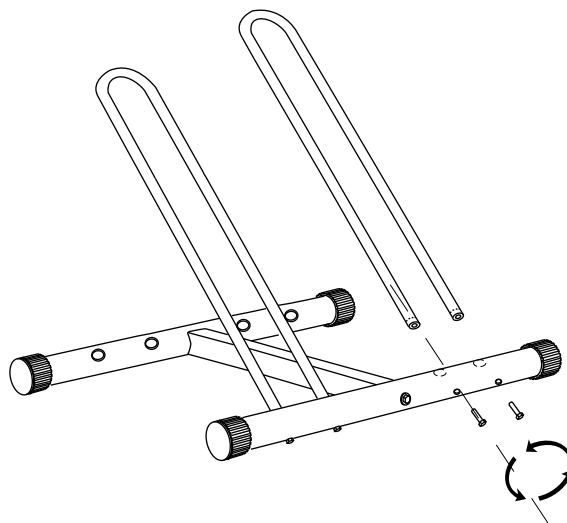
Dia48*600mm Tubes*2
Dia 16mm Tubes*7
40MM square pipe*1
screws:
6*20MM Screws*14,
8*65MM Screws*2

Installation Steps

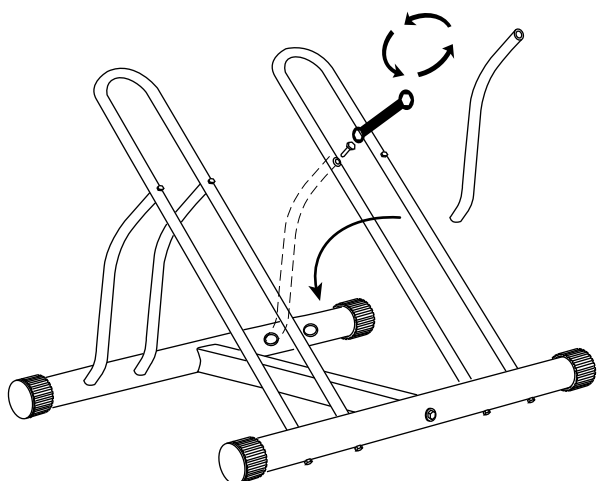
- 1** Assemble the two round tubes and square tubes of the base together
The direction of the large round hole of the round tube is upward
Secure both ends with long screws



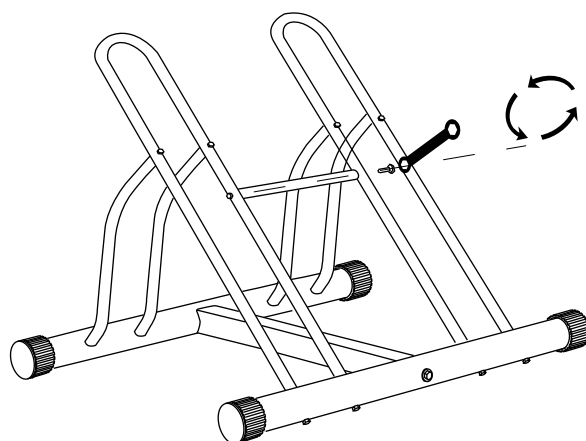
- 2** Put the elbow guardrail into the round hole of the base
Secure with screws



- 3** Put four round tubes into the round holes at the end of the base
fixed with screws



- 4** Put the horizontal pipe between the U-shaped guardrails
Secure both ends with screws



How To Use

By changing the direction of the U-shaped guardrail, it can have two-way parking function
Please refer to the diagram below

