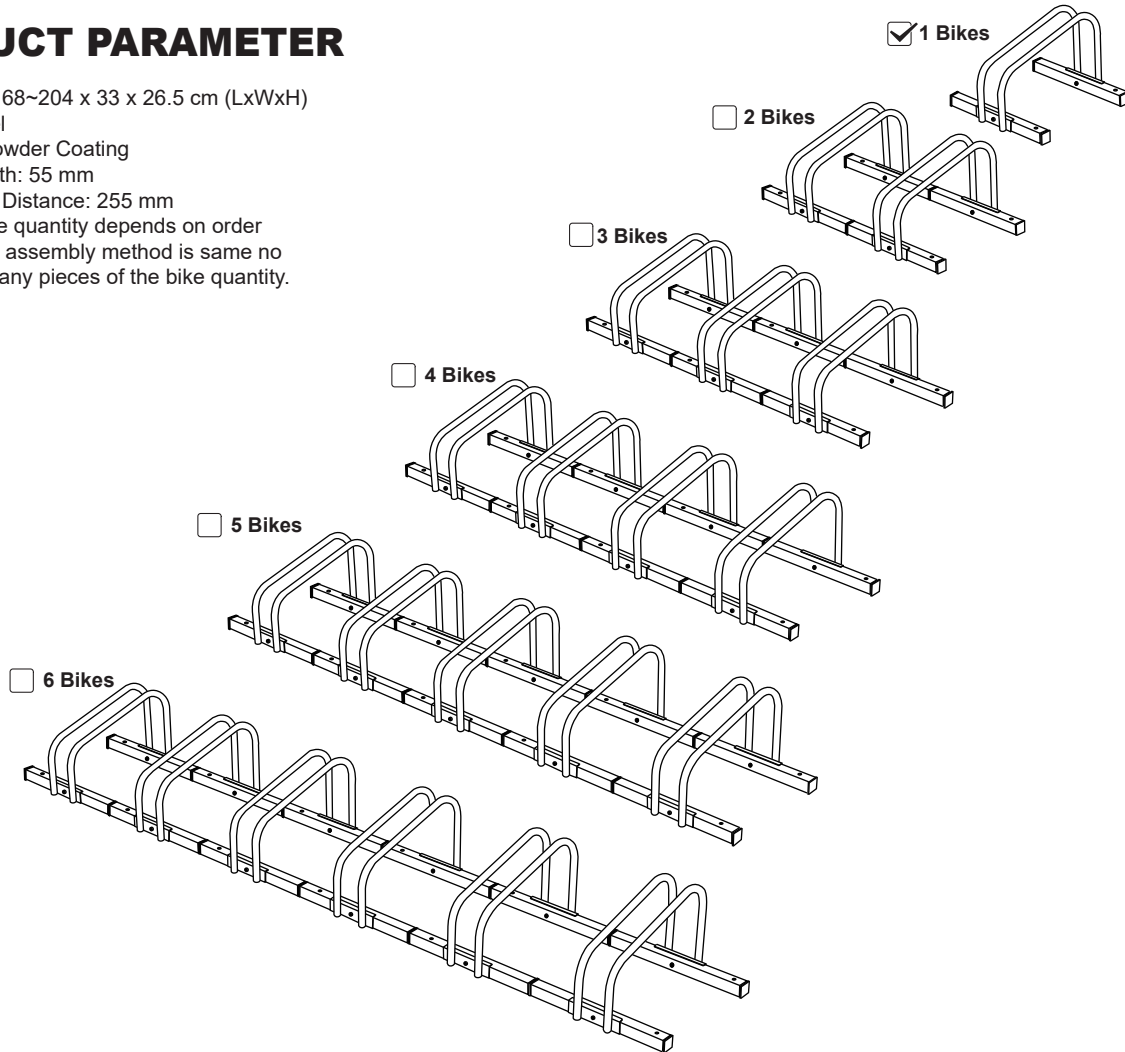


סטנד יחיד לחניית אופניים

מק"ט: 300411

PRODUCT PARAMETER

Product Size: 68~204 x 33 x 26.5 cm (LxWxH)
 Material: Steel
 Treatment: Powder Coating
 Max Tyre Width: 55 mm
 Parking Rack Distance: 255 mm
 Remarks: Bike quantity depends on order requirements, assembly method is same no matter how many pieces of the bike quantity.

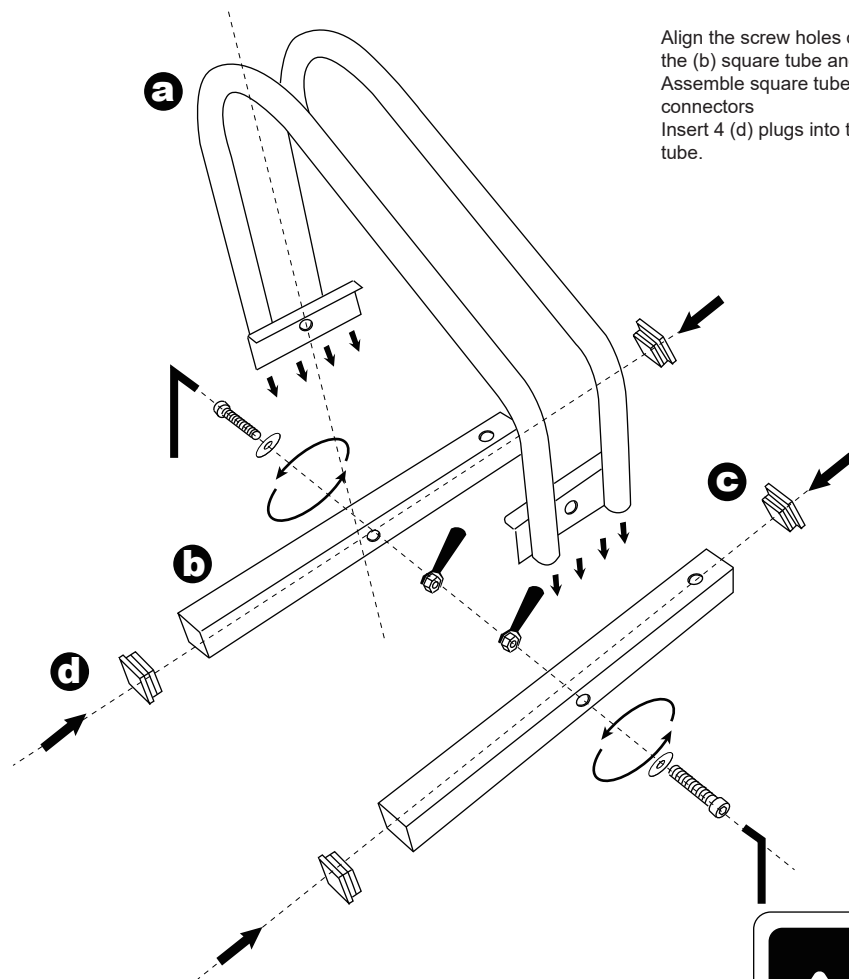


BILL OF MATERIAL

1	Bracket	Square Tubes	Screws	Plugs	Ground Screw Kits	Tool	Connectors

INSTALLATION

2



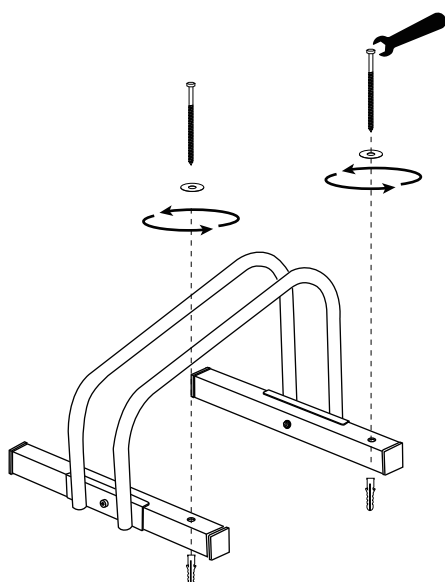
Align the screw holes of (a) bracket to the screw hole of the (b) square tube and fasten them with (e) screw kit. Assemble square tubes together by using (c) connectors. Insert 4 (d) plugs into the outer ends of the (b) square tube.



- 01 Using on a flat ground;
- 02 Not suitable for E-bike parking;
- 03 No damp and sun exposure to avoid aging.

3

There are mounting holes on the square tubes, according to below graph, choose to use screws to fix the bike stand on the flat ground or not.



4

Push the rear wheel into the parking bracket, do not exceed the safety line marked in below graph; Depend on your preference, you can park your bike with the front or rear wheel into the brackets.

